

# EVVOSEMI<sup>®</sup>

THINK CHANGE DO



ESD



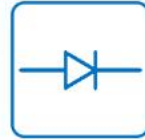
TVS



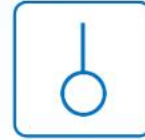
MOS



LDO



Diode



Sensor



DC-DC

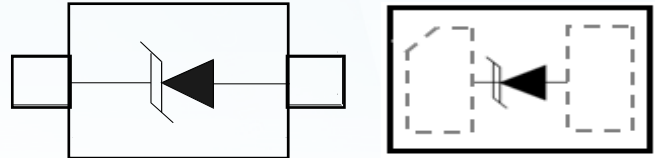
## Product Specification

▶ Domestic	Part Number	PESD5V0L1UA/UB/UL
▶ Overseas	Part Number	PESD5V0L1UA/UB/UL
▶ Equivalent	Part Number	PESD5V0L1UA/UB/UL

EV is the abbreviation of name EVVO

## Features

- Unidirectional ESD protection of one line
- Low diode capacitance:  $C_d = 25 \text{ pF}$
- Low clamping voltage:  $V_{CL} = 12 \text{ V}$
- Very low leakage current:  $I_{RM} = 10 \text{ nA}$
- ESD protection up to 26 kV
- IEC 61000-4-2; level 4 (ESD)
- AEC-Q101 qualified



## Applications

- Computers and peripherals
- Audio and video equipment
- Cellular handsets and accessories
- Communication systems
- Subscriber Identity Module (SIM) card protection
- Portable electronics
- FireWire
- High-speed data lines

## Mechanical Characteristics

- SOD-882 package
- Molding compound flammability rating: UL94 V-0
- Marking: Marking Code
- Packaging: Tape and Reel per EIA4 81
- RoHS/WEEE Compliant

## Quick reference data

$T_{amb} = 25 \text{ }^\circ\text{C}$  unless otherwise specified.

Symbol	Parameter	Conditions	Min	Typ	Max	Unit
$V_{RWM}$	reverse standoff voltage		-	-	5.0	V
$C_d$	diode capacitance	$f = 1 \text{ MHz}; V_R = 0 \text{ V}$	-	25	30	pF

### Limiting values

In accordance with the Absolute Maximum Rating System (IEC 60134).

Symbol	Parameter	Conditions		Min	Max	Unit
P <sub>PP</sub>	peak pulse power	t <sub>p</sub> = 8/20 μs	[1][2]	-	42	W
I <sub>PP</sub>	peak pulse current	t <sub>p</sub> = 8/20 μs	[1][2]	-	3.5	A
T <sub>j</sub>	junction temperature			-	150	°C
T <sub>amb</sub>	ambient temperature			-55	+150	°C
T <sub>stg</sub>	storage temperature			-65	+150	°C

[1] Non-repetitive current pulse 8/20 μs exponential decay waveform according to IEC 61000-4-5.

[2] Measured from pin 1 to pin 2.

### ESD maximum ratings

T<sub>amb</sub> = 25 °C unless otherwise specified.

Symbol	Parameter	Conditions		Min	Max	Unit
V <sub>ESD</sub>	electrostatic discharge voltage	IEC 61000-4-2 (contact discharge)	[1]	-	26	kV
		machine model		-	400	V
		MIL-STD-883 (human body model)		-	10	kV

[1] Device stressed with ten non-repetitive ESD pulses.

### ESD standards compliance

Standard	Conditions
IEC 61000-4-2; level 4 (ESD)	> 15 kV (air); > 8 kV (contact)
MIL-STD-883; class 3 (human body model)	> 4 kV

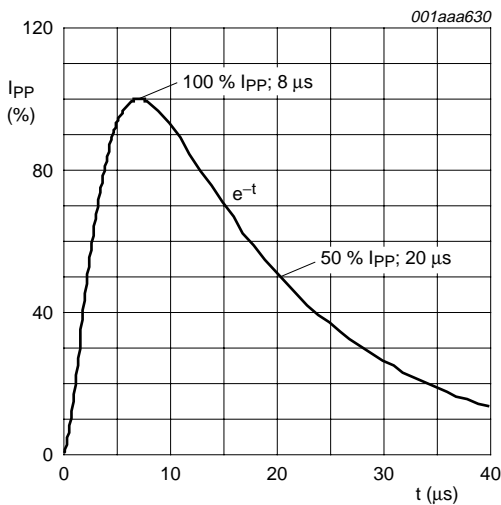


Fig 1. 8/20 μs pulse waveform according to IEC 61000-4-5

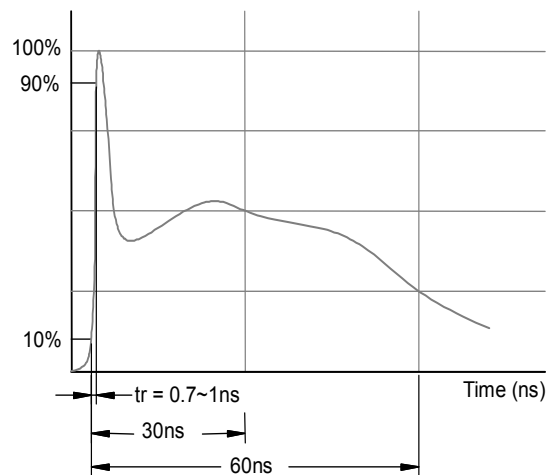


Fig 2. ESD pulse waveform according to IEC 61000-4-2

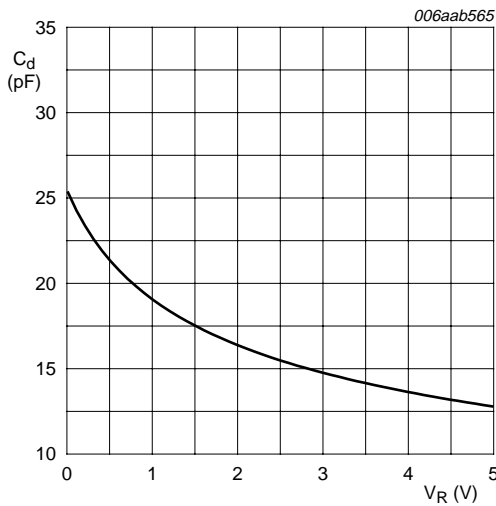
### Characteristics

T<sub>amb</sub> = 25 °C unless otherwise specified.

Symbol	Parameter	Conditions	Min	Typ	Max	Unit
V <sub>RWM</sub>	reverse standoff voltage		-	-	5.0	V
I <sub>RM</sub>	reverse leakage current	V <sub>RWM</sub> = 5.0 V	-	10	100	nA
V <sub>BR</sub>	breakdown voltage	I <sub>R</sub> = 5 mA	6.4	6.8	7.2	V
C <sub>d</sub>	diode capacitance	f = 1 MHz; V <sub>R</sub> = 0 V	-	25	30	pF
V <sub>CL</sub>	clamping voltage	[1][2]				
		I <sub>PP</sub> = 1 A	-	-	9	V
		I <sub>PP</sub> = 3.5 A	-	-	12	V
r <sub>dif</sub>	differential resistance	I <sub>R</sub> = 5 mA	-	-	30	Ω
V <sub>F</sub>	forward voltage	I <sub>F</sub> = 200 mA	-	-	1.2	V

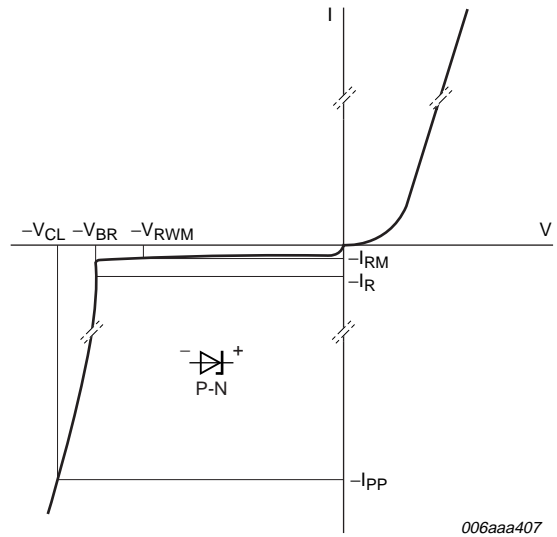
[1] Non-repetitive current pulse 8/20 μs exponential decay waveform according to IEC 61000-4-5.

[2] Measured from pin 1 to pin 2.

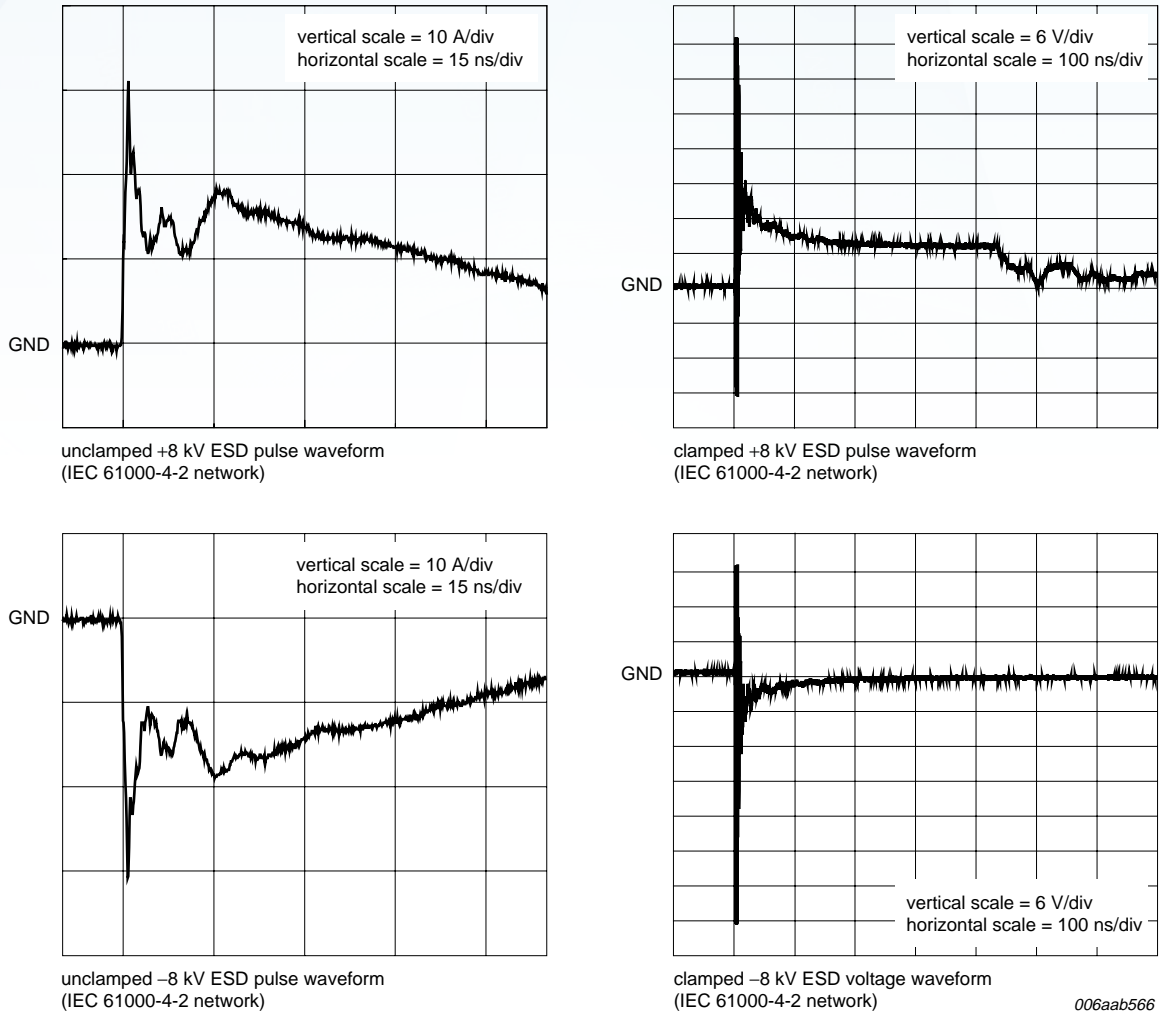


f = 1 MHz; T<sub>amb</sub> = 25 °C

**Fig 3. Diode capacitance as a function of reverse voltage; typical values**

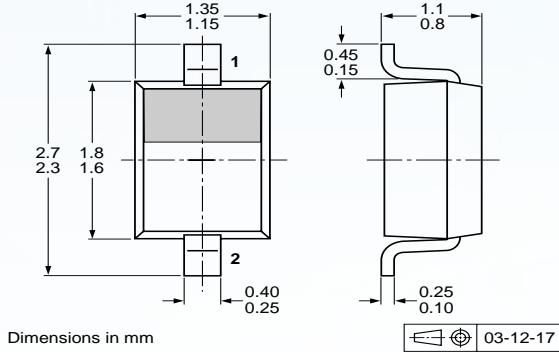


**Fig 4. V-I characteristics for a unidirectional ESD protection diode**

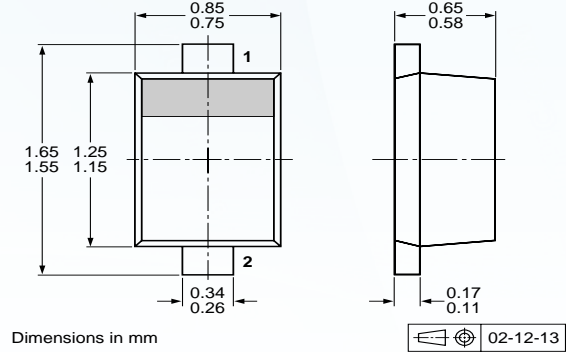


**Fig 5. ESD clamping test setup and waveforms**

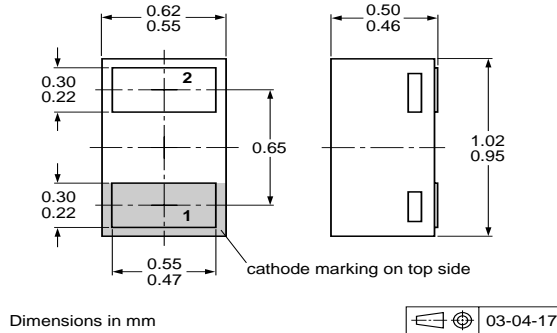
**SOD-323/SOD-523/SOD-882 PACKAGE OUTLINE DIMENSIONS**



**PESD5V0L1UA (SOD323)**

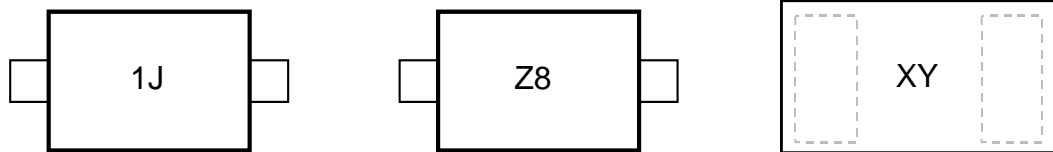


**PESD5V0L1UB (SOD523)**



**PESD5V0L1UL (SOD882)**

**Marking**



**Ordering information**

Order code	Marking code	Package	Baseqty	Deliverymode
PESD5V0L1UA	1J	SOD-323	3000	Tape and reel
PESD5V0L1UB	Z8	SOD-523	3000	Tape and reel
PESD5V0L1UL	XY	SOD-882	10000	Tape and reel

## Disclaimer

EVVOSEMI ("EVVO") reserves the right to make corrections, enhancements, improvements, and other changes to its products and services at any time, and to discontinue any product or service without notice.

EVVO warrants the performance of its hardware products to the specifications applicable at the time of sale in accordance with its standard warranty. Testing and other quality control techniques are used as deemed necessary by EVVO to support this warranty. Except where mandated by government requirements, testing of all parameters of each product is not necessarily performed.

Customers should obtain and confirm the latest product information and specifications before final design, purchase, or use. EVVO makes no warranty, representation, or guarantee regarding the suitability of its products for any particular purpose, nor does EVVO assume any liability for application assistance or customer product design. EVVO does not warrant or accept any liability for products that are purchased or used for any unintended or unauthorized application.

EVVO products are not authorized for use as critical components in life support devices or systems without the express written approval of EVVOSEMI.

The EVVO logo and EVVOSEMI are trademarks of EVVOSEMI or its subsidiaries in relevant jurisdictions. EVVO reserves the right to make changes without further notice to any products herein.