

# EVVOSEMI<sup>®</sup>

THINK CHANGE DO



ESD



TVS



MOS



LDO



Diode



Sensor



DC-DC

## Product Specification

▶ Domestic	Part Number	TL431
▶ Overseas	Part Number	TL431
▶ Equivalent	Part Number	TL431

EV is the abbreviation of name EVVO

## Adjustable Precision Shunt Regulator

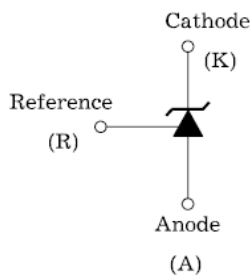
### ◆ Description

The TL431 is a three-terminal adjustable regulator series with a guaranteed thermal stability over applicable temperature ranges. The output voltage may be set to any value between Vref and 36 volts with two external resistors. These device have a typical dynamic output impedance of 0.27Ω, Active output circuitry provides a very sharp turn-on characteristic, making these devices excellent replacement for zener diodes in many applications.

### ◆ Features

- Programmable Output Voltage to 36V.
- Low Dynamic Output Impedance : TL431xx: 0.27 Ω (Typical).
- Sink Current Capability of 0.1mA to 100mA.
- Equivalent Full-Range Temperature Coefficient of 50 ppm/°C
- Temperature Compensated for Operation over Full Rated Operating Temperature Range.
- Low Output Noise Voltage.
- Fast Turn on Responds.
- SOT-23, TO-92, SOT-89, SOP-8, packages

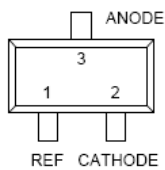
### ◆ Symbol



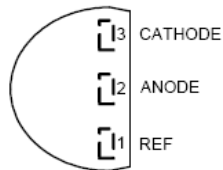
### ◆ Applications

- Precision Voltage Reference
- Linear Regulator
- Adjustable Power Supply
- Switching Power Supply
- Graphic Card
- Adapter

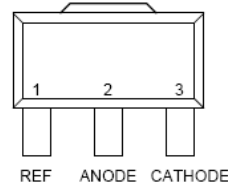
### ◆ Pin Description



SOT-23 (Top View)



TO-92 (Top View)



SOT-89 (Top View)



SOP-8 (Top View)

### ◆ Absolute Maximum Ratings

Symbol	Parameter		Value	Unit
$V_{KA}$	Cathode Voltage	TL431x	40	V
$I_K$	Cathode Current Range(Continuous)		-100~150	mA
$I_{REF}$	Reference Input Current Range		0.05~10	mA
$T_{oper.}$	Operating Temperature Range	TL431x	-40~85	°C
$T_J$	Junction Temperature Range		150	°C
$T_{stg}$	Storage Temperature Range		-65~+150	°C

### ◆ Thermal Characteristics

Symbol	Parameter	Package	Typical Value	Unit
$\theta_{JA}$	Thermal Resistance From Junction to Ambient in Free Air. (Measured with the component mounted on a high effective thermal conductivity test board in free air.)	SOT-23	400	°C/W
		TO-92	400	
		SOT-89	400	
		SOP-8	450	

### ◆ Recommended Operating Conditions

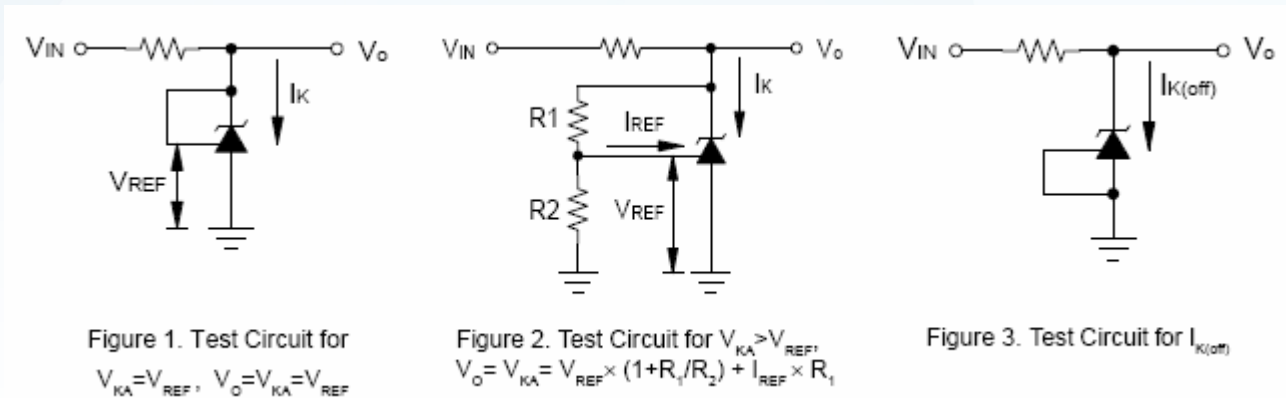
Symbol	Characteristic		Min.	Typ.	Max.	Unit
$V_{KA}$	Cathode Voltage	TL431x	$V_{REF}$	-	36	V
$I_K$	Cathode Current	TL431x	0.5	-	100	mA

## ◆ Electrical Characteristics

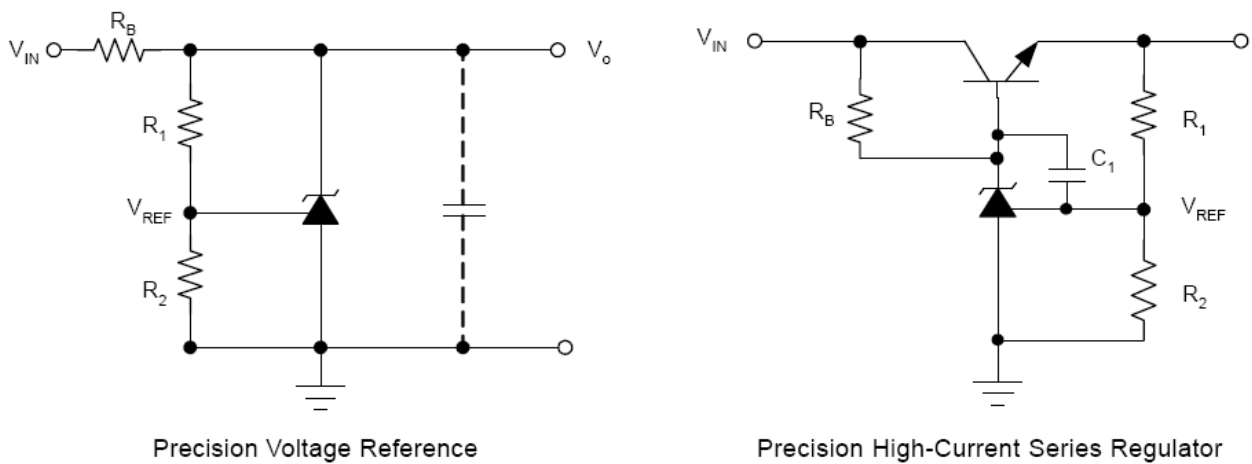
( $T_a=25\text{ }^\circ\text{C}$ ,  $V_{KA}=V_{REF}$ ,  $I_K=10\text{mA}$  unless otherwise noted .)

Symbol	Parameter		Test Condition	Min.	Typ.	Max.	Unit	
$V_{REF}$	Reference input Voltage		$V_{KA}=V_{REF}$ , $I_K=10\text{mA}$	0.5%	2.483	2.495	2.508	V
$V_{REF(dev)}$	Deviation of Reference Input Voltage Over Full Temperature Range		$T_{min} \leq T_a \leq T_{max}$		-	3	17	mV
$\frac{\Delta V_{REF}}{\Delta V_{KA}}$	Ratio of change in Reference input Voltage to the Change in Cathode Voltage		$\Delta V_{KA}=10\text{V}-V_{REF}$		-0.4	-	2.7	mV/ V
			$\Delta V_{KA}=36\text{V}-10\text{V}$		-0.4	-	2.0	
$I_{REF}$	Reference Input Current		$R_1=10\text{K}\Omega$ , $R_2=\infty$		-	1.8	4	$\mu\text{A}$
$I_{REF(dev)}$	Deviation of Reference Input Current Over Full Temperature Range		$R_1=10\text{K}\Omega$ , $R_2=\infty$		-	0.4	1.2	$\mu\text{A}$
$I_{K(min)}$	Minimum Cathode Current for Regulation				-	0.25	0.5	mA
$I_{K(off)}$	Off-State Cathode Current		$V_{KA}=40\text{V}$ , $V_{REF}=0$		-	0.17	0.9	$\mu\text{A}$
$Z_{KA}$	Dynamic Impedance	TL431xx	$I_K=1\text{mA}$ to $100\text{mA}$ $f \leq 1.0\text{KHz}$		-	0.27	0.5	$\Omega$

◆ Test Circuit



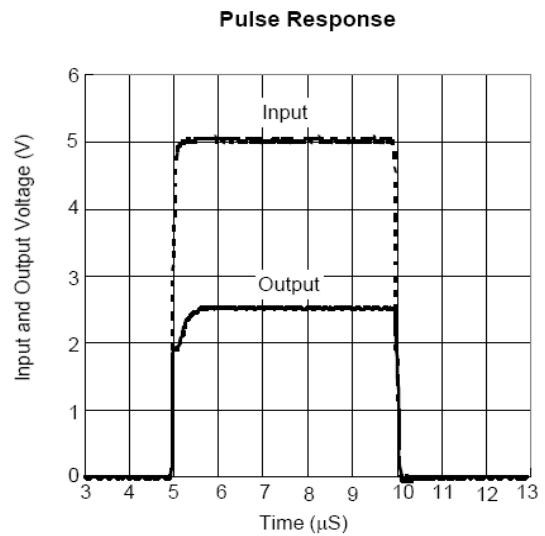
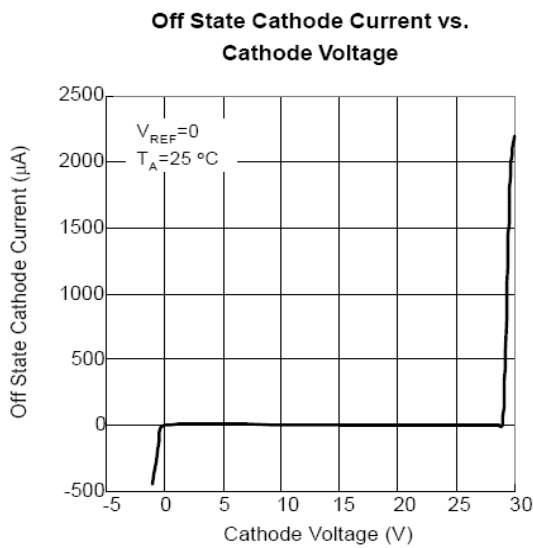
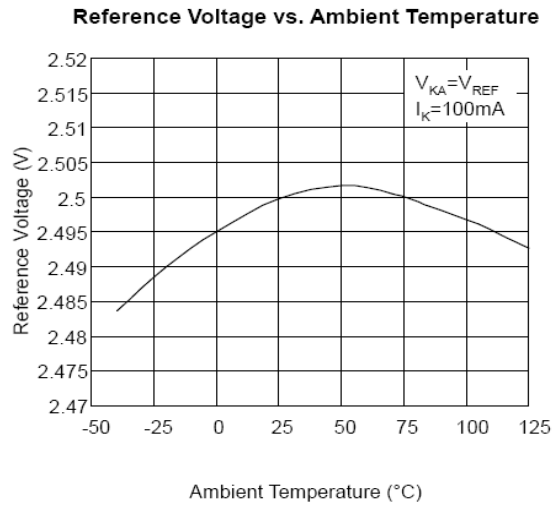
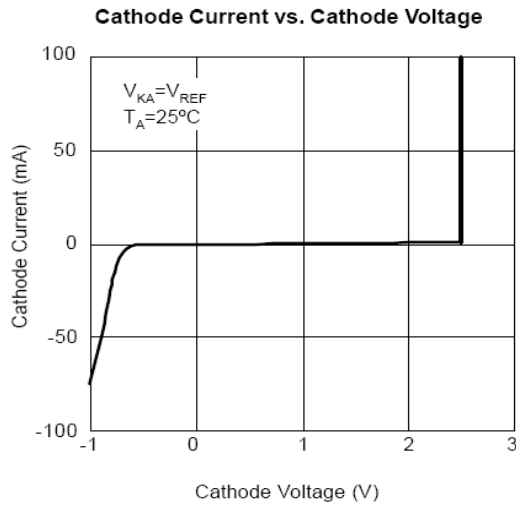
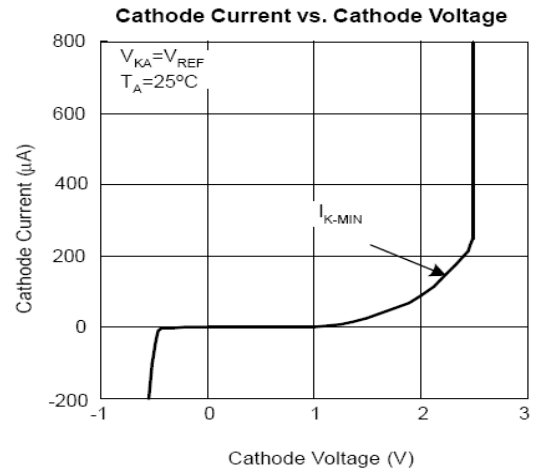
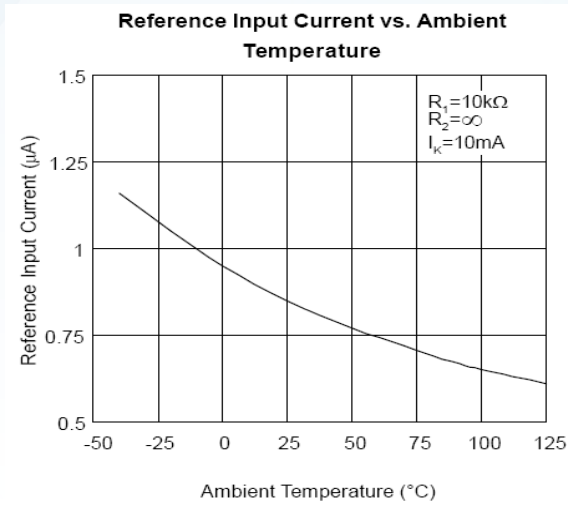
◆ Typical Application Circuits



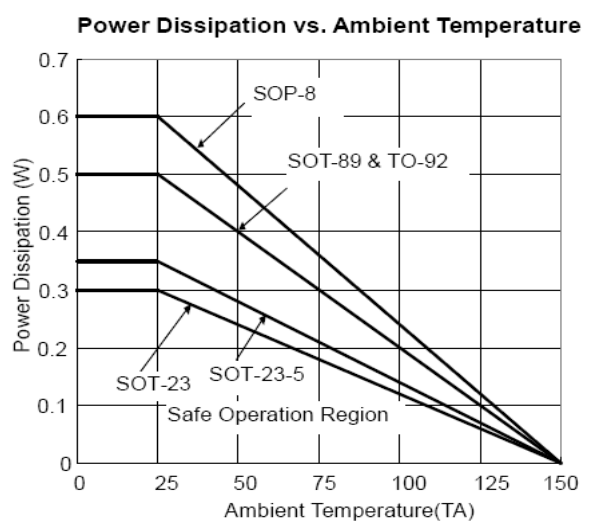
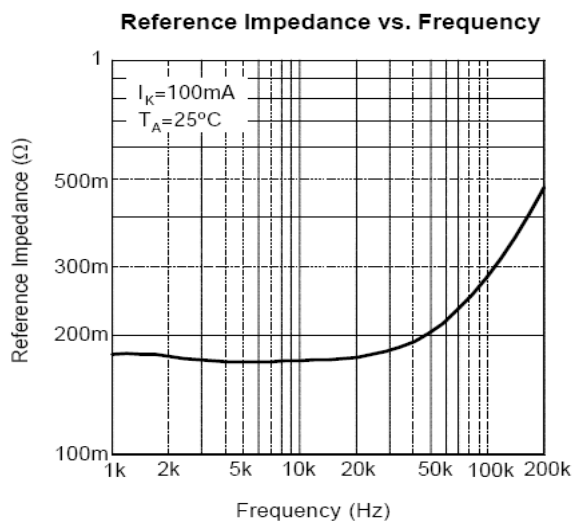
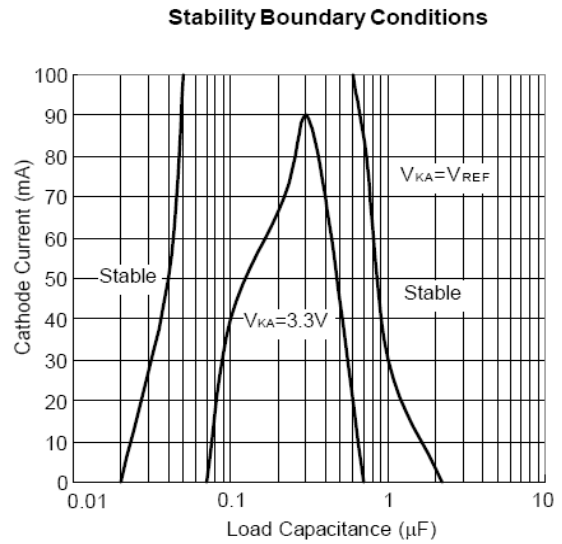
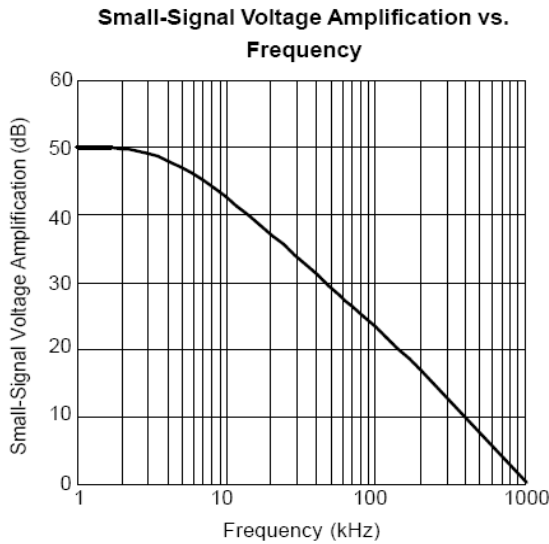
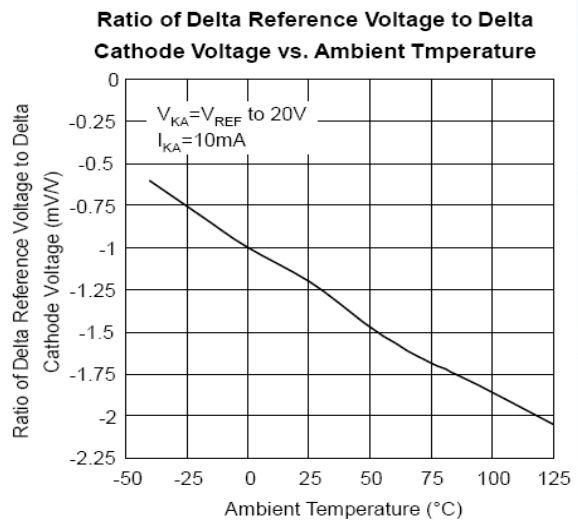
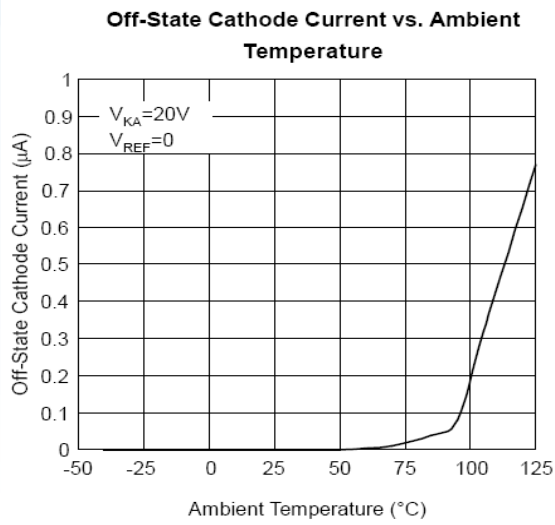
Notes for Typical Application Circuits:

1. For the series regulator applications, add a compensation capacitor  $C_1$  between CATHODE and REF is strongly recommended to improve the stability of output voltage.
2. Set  $V_o$  according to the following equation:  $V_o = V_{REF}(1 + R_1/R_2) + I_{REF} \times R_1$ .
3. Choose the Value for  $R_B$  as below:
  - (1). The maximum limit for  $R_B$  should be such that the cathode current ( $I_K$ ) is greater than the minimum operating current (0.5mA) at  $V_{IN(MIN)}$ .
  - (2). The minimum limit for  $R_B$  should be such that the cathode current ( $I_K$ ) does not exceed 100mA under all load conditions, and the instantaneous turn-on value for  $I_K$  does not exceed 120mA.

◆ Typical Characteristics

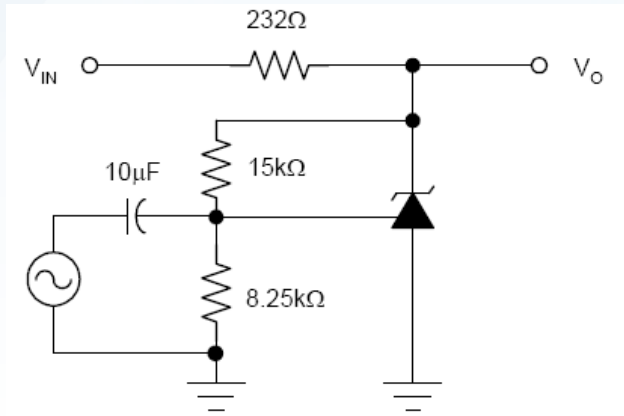


◆ Typical Characteristics

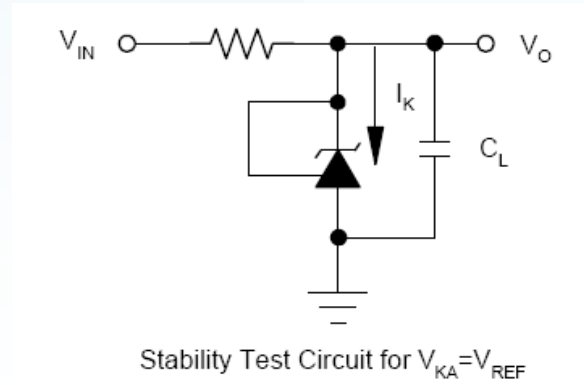




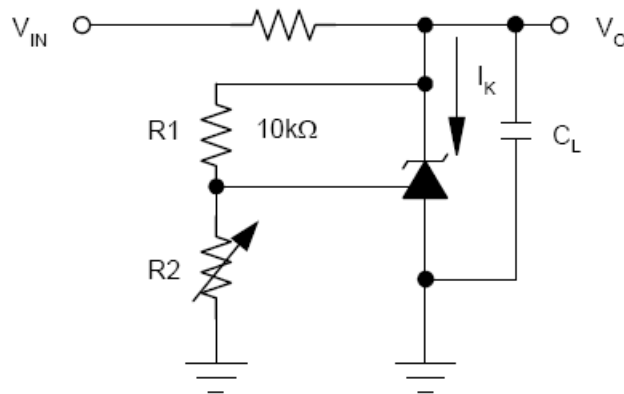
◆ Typical Characteristics



Voltage Amplification Test Circuit



Stability Test Circuit for  $V_{KA} = V_{REF}$

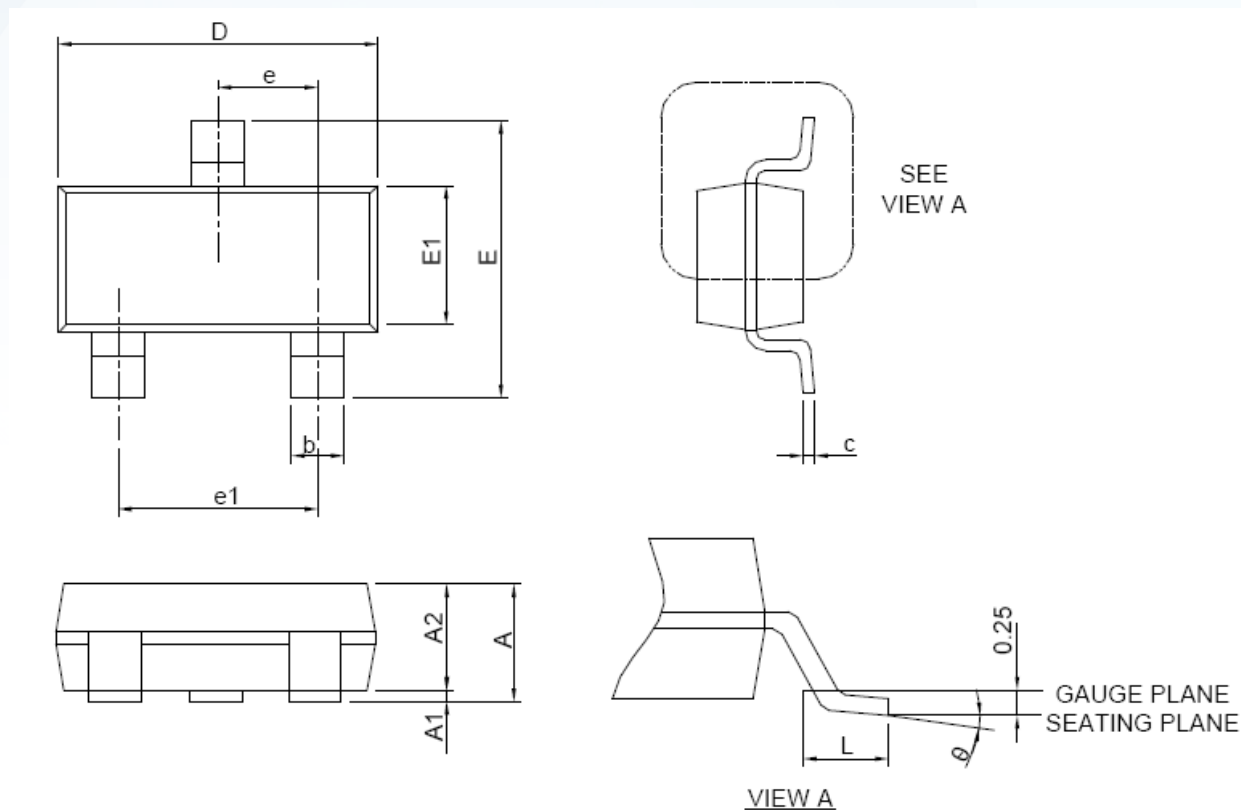


Stability Test Circuit for  $V_{KA} > V_{REF}$   
 $V_O = V_{KA} = V_{REF} \times (1 + R1/R2) + I_{REF} \times R1$   
 Use the MLCC for  $C_L$



◆ **Package Information**

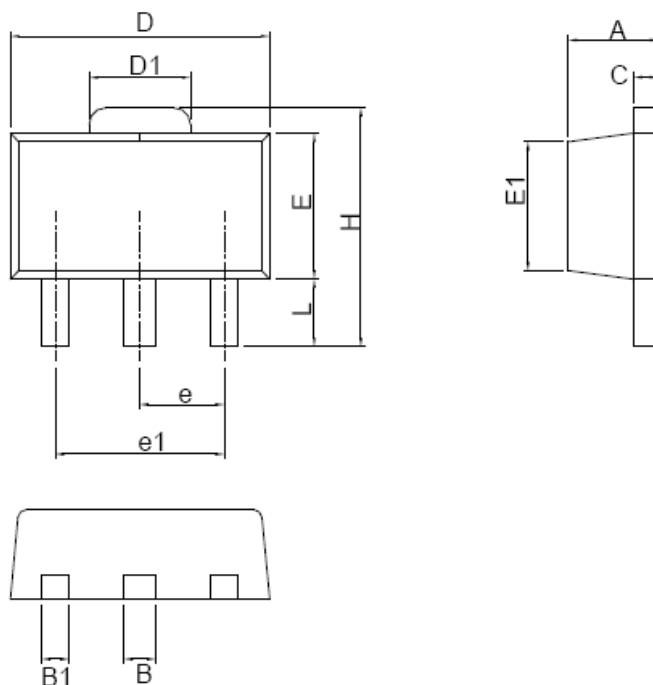
SOT-23



SYMBOL	SOT-23			
	MILLIMETERS		INCHES	
	MIN.	MAX.	MIN.	MAX.
A		1.15		0.045
A1	0.00	0.10	0.000	0.004
A2	0.90	1.05	0.035	0.041
b	0.30	0.50	0.012	0.020
c	0.08	0.15	0.003	0.006
D	2.70	3.00	0.110	0.118
E	2.25	2.55	0.089	0.100
E1	1.20	1.40	0.047	0.055
e	0.95 BSC		0.037 BSC	
e1	1.90 BSC		0.075 BSC	
L	0.30	0.60	0.012	0.024
θ	0°	8°	0°	8°

◆ **Package Information**

SOT-89

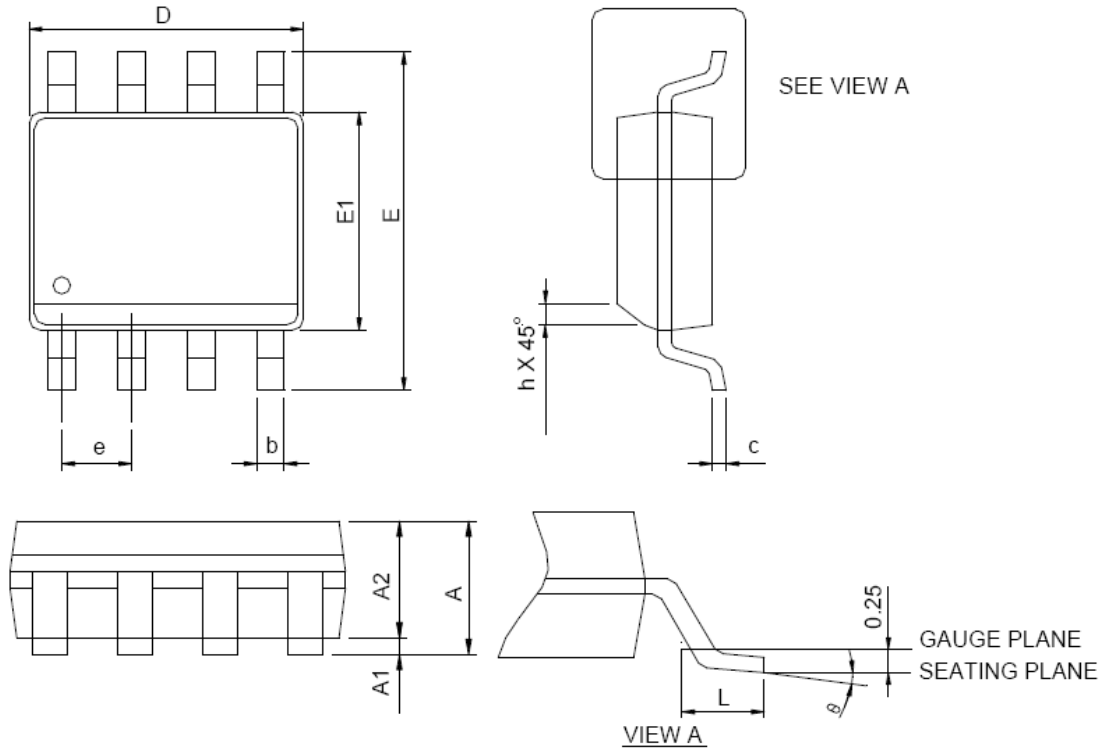


SYMBOL	SOT-89			
	MILLIMETERS		INCHES	
	MIN.	MAX.	MIN.	MAX.
A	1.40	1.60	0.055	0.063
B	0.44	0.56	0.017	0.022
B1	0.36	0.48	0.014	0.019
C	0.35	0.44	0.014	0.017
D	4.40	4.60	0.173	0.181
D1	1.62	1.83	0.064	0.072
E	2.29	2.60	0.090	0.102
E1	2.13	2.29	0.084	0.090
e	1.50 BSC		0.059 BSC	
e1	3.00 BSC		0.118 BSC	
H	3.94	4.25	0.155	0.167
L	0.89	1.20	0.035	0.047

Note : Follow JEDEC TO-243 AA.

◆ **Package Information**

SOP-8

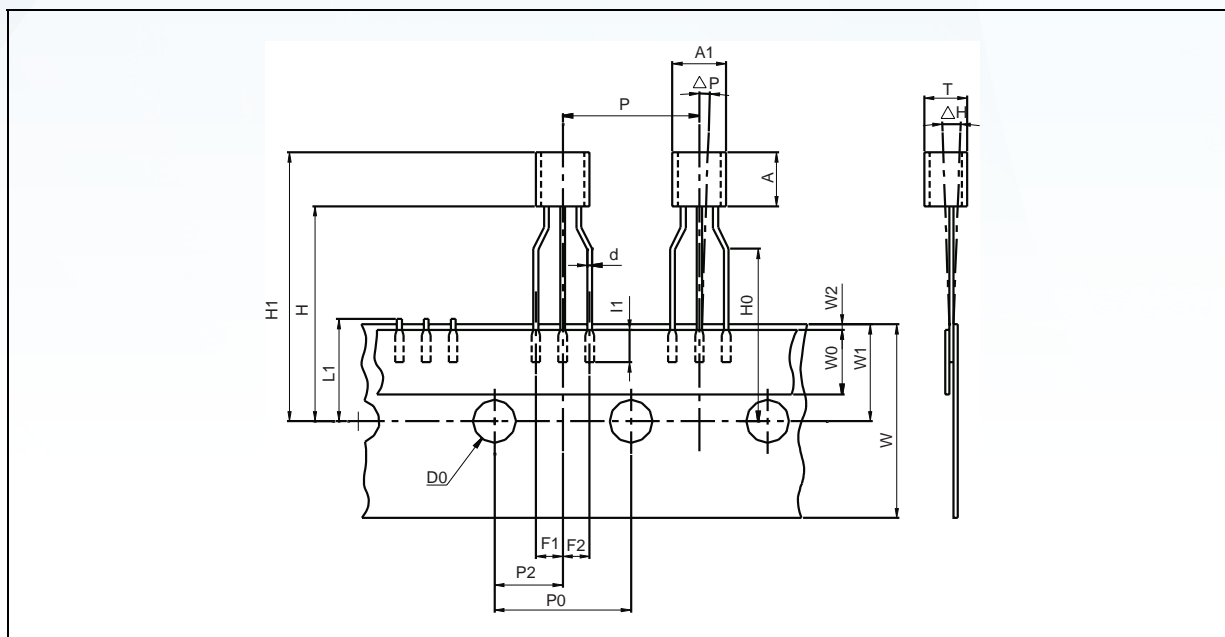


SYMBOL	SOP-8			
	MILLIMETERS		INCHES	
	MIN.	MAX.	MIN.	MAX.
A		1.75		0.069
A1	0.10	0.25	0.004	0.010
A2	1.25		0.049	
b	0.31	0.51	0.012	0.020
c	0.17	0.25	0.007	0.010
D	4.80	5.00	0.189	0.197
E	5.80	6.20	0.228	0.244
E1	3.80	4.00	0.150	0.157
e	1.27 BSC		0.050 BSC	
h	0.25	0.50	0.010	0.020
L	0.40	1.27	0.016	0.050
$\theta$	0°	8°	0°	8°

- Note: 1. Follow JEDEC MS-012 AA.  
 2. Dimension "D" does not include mold flash, protrusions or gate burrs. Mold flash, protrusion or gate burrs shall not exceed 6 mil per side.  
 3. Dimension "E" does not include inter-lead flash or protrusions. Inter-lead flash and protrusions shall not exceed 10 mil per side.

◆ **Package Information**

TO-92

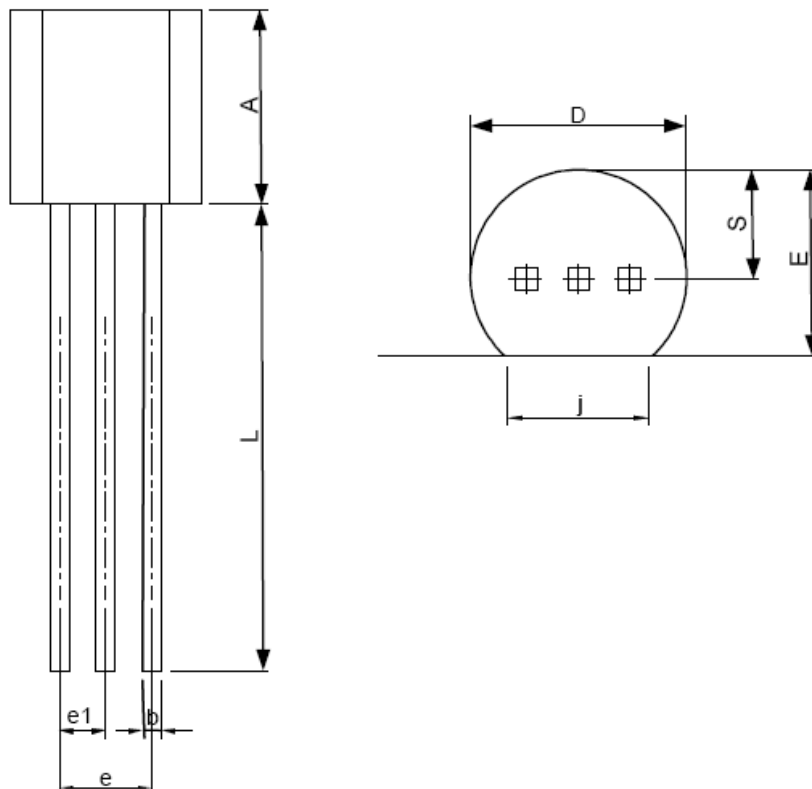


Dim.	Millimeters			Inches		
	Min	Typ.	Max.	Min.	Typ.	Max.
A1	4.2	4.47	5.0	0.165	0.175	0.197
A			5.0			0.197
T			4.0			0.157
d		0.45			0.018	
l1	2.5			0.098		
P	11.7	12.7	13.7	0.461	0.500	0.539
P0	12.4	12.7	13	0.488	0.500	0.512
P2	5.95	6.35	6.75	0.234	0.250	0.266
F1/F2	2.4	2.5	2.8	0.094	0.098	0.110
Δh	-1	0	1	-0.039	0	0.039
ΔP	-1	0	1	-0.039	0	0.039
W	17.5	18.0	19.0	0.689	0.709	0.748
W0	5.7	6	6.3	0.224	0.236	0.248
W1	8.5	9	9.75	0.335	0.354	0.384
W2			0.5			0.020
H			20			0.787
H0	15.5	16	16.5	0.610	0.630	0.650
H1			25			0.984
DO	3.8	4.0	4.2	0.150	0.157	0.165
L1			11			0.433

◆ **Package Information**

TO-92

(Bulk Bag)



SYMBOL	TO-92			
	MILLIMETERS		INCHES	
	MIN.	MAX.	MIN.	MAX.
A	4.32	5.33	0.170	0.210
b	0.41	0.53	0.016	0.021
D	4.45	5.20	0.175	0.205
E	3.18	4.19	0.125	0.165
e	2.42	2.66	0.095	0.105
e1	1.15	1.39	0.045	0.055
j	3.43	4.00	0.135	0.157
L	12.70	15.00	0.500	0.591
S	2.03	2.66	0.080	0.105

Note : Follow JEDEC TO-92.

## ◆ Ordering information

Order Code	Package	Baseqty	Deliverymode	Accuracy
TL431 0.5%	TO-92	2000	Ammo outfit	0.5%
TL431(0.5%)	TO-92	1000	Bulk Bag	0.5%
TL431	SOT-23	3000	Tape and Reel	0.5%
TL431S	SOT-89	1000	Tape and Reel	0.5%
TL431D	SOP-8	2500	Tape and Reel	0.5%

## Disclaimer

EVVOSEMI ("EVVO") reserves the right to make corrections, enhancements, improvements, and other changes to its products and services at any time, and to discontinue any product or service without notice.

EVVO warrants the performance of its hardware products to the specifications applicable at the time of sale in accordance with its standard warranty. Testing and other quality control techniques are used as deemed necessary by EVVO to support this warranty. Except where mandated by government requirements, testing of all parameters of each product is not necessarily performed.

Customers should obtain and confirm the latest product information and specifications before final design, purchase, or use. EVVO makes no warranty, representation, or guarantee regarding the suitability of its products for any particular purpose, nor does EVVO assume any liability for application assistance or customer product design. EVVO does not warrant or accept any liability for products that are purchased or used for any unintended or unauthorized application.

EVVO products are not authorized for use as critical components in life support devices or systems without the express written approval of EVVOSEMI.

The EVVO logo and EVVOSEMI are trademarks of EVVOSEMI or its subsidiaries in relevant jurisdictions. EVVO reserves the right to make changes without further notice to any products herein.