

# EVVOSEMI<sup>®</sup>

THINK CHANGE DO



ESD



TVS



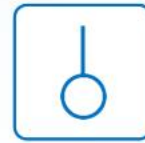
MOS



LDO



Diode



Sensor



DC-DC

## Product Specification

|              |             |             |
|--------------|-------------|-------------|
| ▶ Domestic   | Part Number | SMDJ Series |
| ▶ Overseas   | Part Number | SMDJ Series |
| ▶ Equivalent | Part Number | SMDJ Series |

EV is the abbreviation of name EVVO

The SMDJ series is designed specifically to protect sensitive electronic equipment from voltage transients induced by lightning and other transient voltage events.

### MECHANICAL DATA

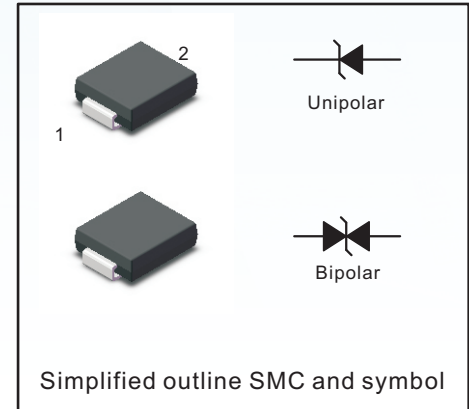
- Case: SMC
- Terminals: Solderable per MIL-STD-750, Method 2026
- Approx. Weight: 0.22g / 0.0077oz

### FEATURES

- For surface mounted applications in order to optimize board space
- Low profile package
- Built-in strain relief
- Glass passivated chip junction
- 3000W peak pulse power capability at 10x1000Us waveform, repetition rate {duty cycles}:0.01 %
- Excellent clamping capability
- Low incremental surge resistance
- Matte Tin Lead-free Plated

### PINNING

| PIN | DESCRIPTION |
|-----|-------------|
| 1   | Cathode     |
| 2   | Anode       |



### Maximum Ratings and Thermal Characteristics (TA=25°C unless otherwise noted)

| Parameter   | Symbol                          | Value      | Unit |
|---|---------------------------------|------------|------|
| Peak Pulse Power Dissipation at T <sub>A</sub> =25°C by 10x1000 us waveform (Fig.1)(Note 1), (Note 2) | P <sub>PPM</sub>                | 3000       | W    |
| Power Dissipation on infinite heat sink at TA=50°C  | P <sub>M(AV)</sub>              | 6.5        | W    |
| Peak Forward Surge Current, 8.3ms Single Half Sine Wave (Note 3)                                      | I <sub>FSM</sub>                | 300        | A    |
| Maximum Instantaneous Forward Voltage at 100A for Unidirectional only                                 | V <sub>F</sub>                  | 3.5        | V    |
| Operating Junction and Storage Temperature Range  | T <sub>J</sub> T <sub>STG</sub> | -65 to 150 | °C   |
| Typical Thermal Resistance Junction to Lead   | R <sub>UJL</sub>                | 15         | °C/W |
| Typical Thermal Resistance Junction to Ambient  | R <sub>UJA</sub>                | 75         | °C/W |

Notes:

1. Non-repetitive current pulse . per Fig 3 and derated above Ta = 25°C per Fig. 2
2. Mounted on copper pad area of 0.31x0.31" (8.0 x 8.0mm) to each terminal
3. Measured on 8.3ms single half sine wave or equivalent square wave for unidirectional device only, duty cycle=4 per minute maximum

Characteristics at Ta = 25°C

Table 1

| Type     |           | Reverse Stand-off Voltage | Breakdown Voltage                |      | Test Current     | Max.Clamp Voltage | Max. Peak Pulse Current | Max. Reverse Leakage | Package                          |                 |
|----------|-----------|---------------------------|----------------------------------|------|------------------|-------------------|-------------------------|----------------------|----------------------------------|-----------------|
|          |           |                           | V <sub>BR</sub> @ I <sub>T</sub> |      |                  |                   |                         |                      | SMC                              |                 |
|          |           |                           | UNI                              | BI   | V <sub>RMW</sub> | Min               | Max                     | I <sub>T</sub>       | V <sub>C</sub> @ I <sub>PP</sub> | I <sub>PP</sub> |
|          |           | V                         | V                                | V    | mA               | V                 | A                       | uA                   | UNI                              | BI              |
| SMDJ5.0A | SMDJ5.0CA | 5.0                       | 6.4                              | 7    | 10               | 9.2               | 326.1                   | 800                  | RDE                              | DDE             |
| SMDJ6.0A | SMDJ6.0CA | 6.0                       | 6.67                             | 7.37 | 10               | 10.3              | 291.3                   | 800                  | RDG                              | DDG             |
| SMDJ6.5A | SMDJ6.5CA | 6.5                       | 7.22                             | 7.98 | 10               | 11.2              | 267.9                   | 500                  | RDK                              | DDK             |
| SMDJ7.0A | SMDJ7.0CA | 7.0                       | 7.78                             | 8.6  | 10               | 12                | 250                     | 200                  | PDM                              | DDM             |
| SMDJ7.5A | SMDJ7.5CA | 7.5                       | 8.33                             | 9.21 | 1                | 12.9              | 232.6                   | 100                  | PDP                              | DDP             |
| SMDJ8.0A | SMDJ8.0CA | 8.0                       | 8.89                             | 9.83 | 1                | 13.6              | 220.6                   | 50                   | PDR                              | DDR             |
| SMDJ8.5A | SMDJ8.5CA | 8.5                       | 9.44                             | 10.4 | 1                | 14.4              | 208.3                   | 20                   | PDT                              | DDT             |
| SMDJ9.0A | SMDJ9.0CA | 9.0                       | 10                               | 11.1 | 1                | 15.4              | 194.8                   | 10                   | PDV                              | DDV             |
| SMDJ10A  | SMDJ10CA  | 10.0                      | 11.1                             | 12.3 | 1                | 17                | 176.5                   | 5                    | PDX                              | DDX             |
| SMDJ11A  | SMDJ11CA  | 11.0                      | 12.2                             | 13.5 | 1                | 18.2              | 164.8                   | 2                    | PDZ                              | DDZ             |
| SMDJ12A  | SMDJ12CA  | 12.0                      | 13.3                             | 14.7 | 1                | 19.9              | 150.8                   | 2                    | PEE                              | DEE             |
| SMDJ13A  | SMDJ13CA  | 13.0                      | 14.4                             | 15.9 | 1                | 21.5              | 139.5                   | 2                    | PEG                              | DEG             |
| SMDJ14A  | SMDJ14CA  | 14.0                      | 15.6                             | 17.2 | 1                | 23.2              | 129.3                   | 2                    | PEK                              | DEK             |
| SMDJ15A  | SMDJ15CA  | 15.0                      | 16.7                             | 18.5 | 1                | 24.4              | 123                     | 2                    | PEM                              | DEM             |
| SMDJ16A  | SMDJ16CA  | 16.0                      | 17.8                             | 19.7 | 1                | 26                | 115.4                   | 2                    | PEP                              | DEP             |
| SMDJ17A  | SMDJ17CA  | 17.0                      | 18.9                             | 20.9 | 1                | 27.6              | 108.7                   | 2                    | PER                              | DER             |
| SMDJ18A  | SMDJ18CA  | 18.0                      | 20                               | 22.1 | 1                | 29.2              | 102.7                   | 2                    | PET                              | DET             |
| SMDJ20A  | SMDJ20CA  | 20.0                      | 22.2                             | 24.5 | 1                | 32.4              | 92.6                    | 2                    | PEV                              | DEV             |
| SMDJ22A  | SMDJ22CA  | 22.0                      | 24.4                             | 26.9 | 1                | 35.5              | 84.5                    | 2                    | PEX                              | DEX             |
| SMDJ24A  | SMDJ24CA  | 24.0                      | 26.7                             | 29.5 | 1                | 38.9              | 77.1                    | 2                    | PEZ                              | DEZ             |
| SMDJ26A  | SMDJ26CA  | 26.0                      | 28.9                             | 31.9 | 1                | 42.1              | 71.3                    | 2                    | PFE                              | DFE             |
| SMDJ28A  | SMDJ28CA  | 28.0                      | 31.1                             | 34.4 | 1                | 45.4              | 66.1                    | 2                    | PFG                              | DFG             |
| SMDJ30A  | SMDJ30CA  | 30.0                      | 33.3                             | 36.8 | 1                | 48.4              | 62                      | 2                    | PFK                              | DFK             |
| SMDJ33A  | SMDJ33CA  | 33.0                      | 36.7                             | 40.6 | 1                | 53.3              | 56.3                    | 2                    | PFM                              | DFM             |
| SMDJ36A  | SMDJ36CA  | 36.0                      | 40                               | 44.2 | 1                | 58.1              | 51.6                    | 2                    | PFP                              | DFP             |
| SMDJ40A  | SMDJ40CA  | 40.0                      | 44.4                             | 49.1 | 1                | 64.5              | 46.5                    | 2                    | PFR                              | DFR             |
| SMDJ43A  | SMDJ43CA  | 43.0                      | 47.8                             | 52.8 | 1                | 69.4              | 43.2                    | 2                    | PFT                              | DFT             |
| SMDJ45A  | SMDJ45CA  | 45.0                      | 50                               | 55.3 | 1                | 72.7              | 41.3                    | 2                    | PFV                              | DFV             |
| SMDJ48A  | SMDJ48CA  | 48.0                      | 53.3                             | 58.9 | 1                | 77.4              | 38.8                    | 2                    | PFX                              | DFX             |
| SMDJ51A  | SMDJ51CA  | 51.0                      | 56.7                             | 62.7 | 1                | 82.4              | 36.4                    | 2                    | PFZ                              | DFZ             |
| SMDJ54A  | SMDJ54CA  | 54.0                      | 60                               | 66.3 | 1                | 87.1              | 34.4                    | 2                    | RGE                              | DGE             |
| SMDJ58A  | SMDJ58CA  | 58.0                      | 64.4                             | 71.2 | 1                | 93.6              | 32.1                    | 2                    | PGG                              | DGG             |
| SMDJ60A  | SMDJ60CA  | 60.0                      | 66.7                             | 73.7 | 1                | 96.8              | 31                      | 2                    | PGK                              | DGK             |
| SMDJ64A  | SMDJ64CA  | 64.0                      | 71.1                             | 78.6 | 1                | 103               | 29.1                    | 2                    | PGM                              | DGM             |
| SMDJ70A  | SMDJ70CA  | 70.0                      | 77.8                             | 86   | 1                | 113               | 26.5                    | 2                    | PGP                              | DGP             |
| SMDJ75A  | SMDJ75CA  | 75.0                      | 83.3                             | 92.1 | 1                | 121               | 24.8                    | 2                    | PGR                              | DGR             |
| SMDJ78A  | SMDJ78CA  | 78.0                      | 86.7                             | 95.8 | 1                | 126               | 23.8                    | 2                    | PGT                              | DGT             |
| SMDJ85A  | SMDJ85CA  | 85.0                      | 94.4                             | 104  | 1                | 137               | 21.9                    | 2                    | PGV                              | DGV             |
| SMDJ90A  | SMDJ90CA  | 90.0                      | 100                              | 111  | 1                | 146               | 20.5                    | 2                    | PGX                              | DGX             |
| SMDJ100A | SMDJ100CA | 100.0                     | 111                              | 123  | 1                | 162               | 18.5                    | 2                    | PGZ                              | DGZ             |
| SMDJ110A | SMDJ110CA | 110.0                     | 122                              | 135  | 1                | 177               | 16.9                    | 2                    | PHE                              | DHE             |
| SMDJ120A | SMDJ120CA | 120.0                     | 133                              | 147  | 1                | 193               | 15.5                    | 2                    | PHG                              | DHG             |
| SMDJ130A | SMDJ130CA | 130.0                     | 144                              | 159  | 1                | 209               | 14.4                    | 2                    | PHK                              | DHK             |
| SMDJ150A | SMDJ150CA | 150.0                     | 167                              | 185  | 1                | 243               | 12.3                    | 2                    | PHM                              | DHM             |
| SMDJ160A | SMDJ160CA | 160.0                     | 178                              | 197  | 1                | 259               | 11.6                    | 2                    | PHP                              | DHP             |
| SMDJ170A | SMDJ170CA | 170.0                     | 189                              | 209  | 1                | 275               | 10.9                    | 2                    | PHR                              | DHR             |

Fig.1 Peak Pulse Power Rating Curve

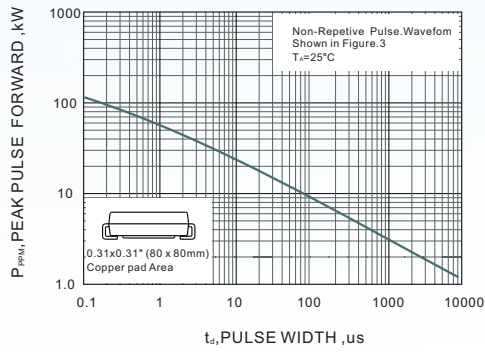


Fig.2 Forward Current Derating Curve

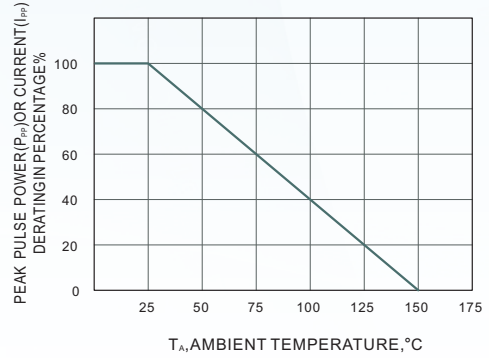


Fig.3 Pulse Waveform

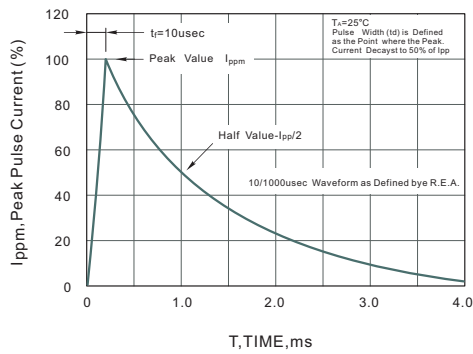


Fig.4 Typical Junction Capacitance

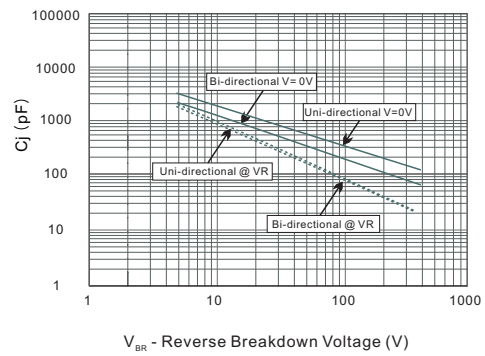


Fig.5 Steady State Power Derating Curve

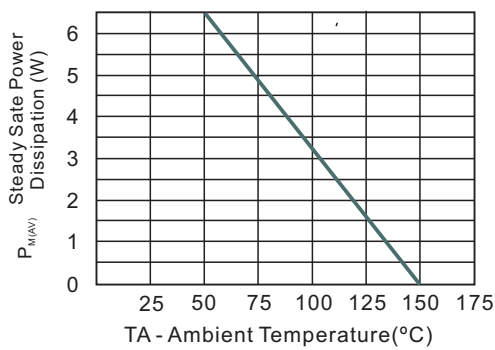
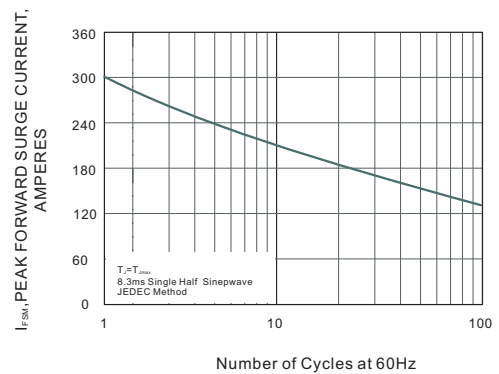


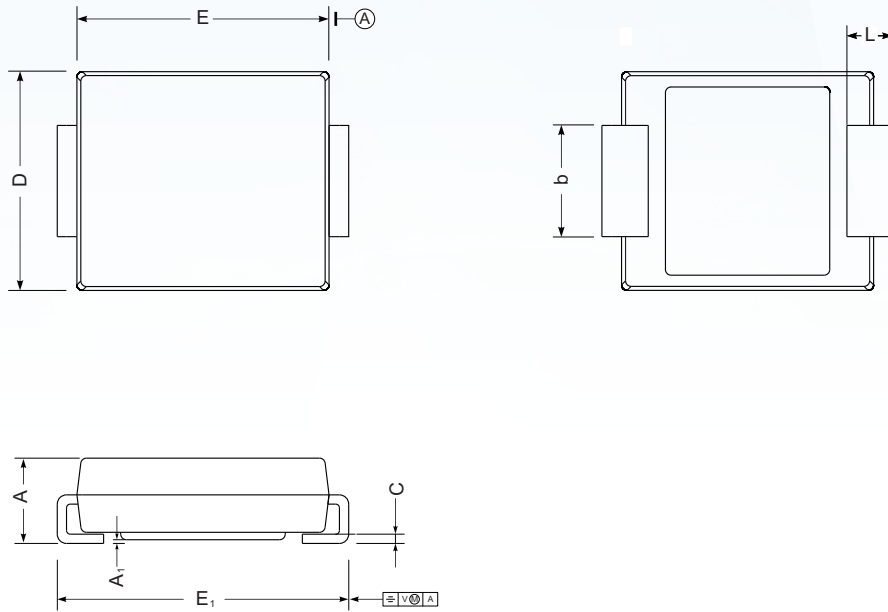
Fig.6 Maximum Non-Repetitive Peak Forward Surge Current



**PACKAGE OUTLINE**

Plastic surface mounted package; 2 leads

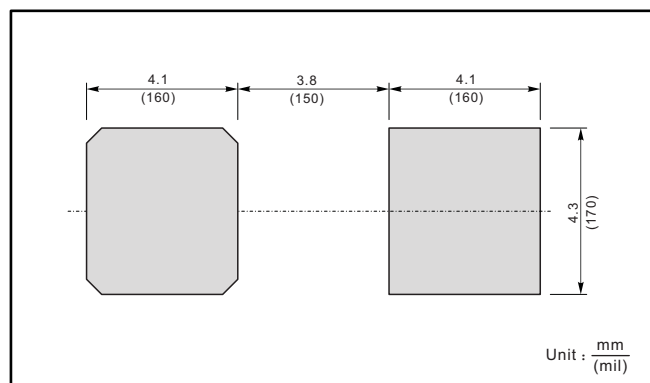
SMC



SMC mechanical data

| UNIT |     | A    | E   | D   | E <sub>1</sub> | A <sub>1</sub> | C    | L   | b    |
|------|-----|------|-----|-----|----------------|----------------|------|-----|------|
| mm   | max | 2.62 | 7.0 | 6.2 | 8.0            | 0.21           | 0.31 | 1.6 | 3.25 |
|      | min | 2.00 | 6.5 | 5.6 | 7.6            | 0.05           | 0.15 | 0.9 | 2.75 |
| mil  | max | 103  | 276 | 244 | 315            | 8.3            | 12   | 63  | 128  |
|      | min | 79   | 256 | 220 | 299            | 2.0            | 5.9  | 35  | 108  |

**The recommended mounting pad size**





## Disclaimer

EVVOSEMI ("EVVO") reserves the right to make corrections, enhancements, improvements, and other changes to its products and services at any time, and to discontinue any product or service without notice.

EVVO warrants the performance of its hardware products to the specifications applicable at the time of sale in accordance with its standard warranty. Testing and other quality control techniques are used as deemed necessary by EVVO to support this warranty. Except where mandated by government requirements, testing of all parameters of each product is not necessarily performed.

Customers should obtain and confirm the latest product information and specifications before final design, purchase, or use. EVVO makes no warranty, representation, or guarantee regarding the suitability of its products for any particular purpose, nor does EVVO assume any liability for application assistance or customer product design. EVVO does not warrant or accept any liability for products that are purchased or used for any unintended or unauthorized application.

EVVO products are not authorized for use as critical components in life support devices or systems without the express written approval of EVVOSEMI.

The EVVO logo and EVVOSEMI are trademarks of EVVOSEMI or its subsidiaries in relevant jurisdictions. EVVO reserves the right to make changes without further notice to any products herein.