

EVVOSEMI[®]

THINK CHANGE DO



ESD



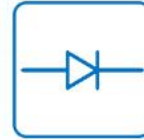
TVS



MOS



LDO



Diode



Sensor



DC-DC

Product Specification

▶ Domestic	Part Number	2SB688 / 2SD718
▶ Overseas	Part Number	2SB688 / 2SD718
▶ Equivalent	Part Number	2SB688 / 2SD718

EV is the abbreviation of name EVVO

硅-双极型外延平面配对功率放大晶体管

2SB688(PNP)

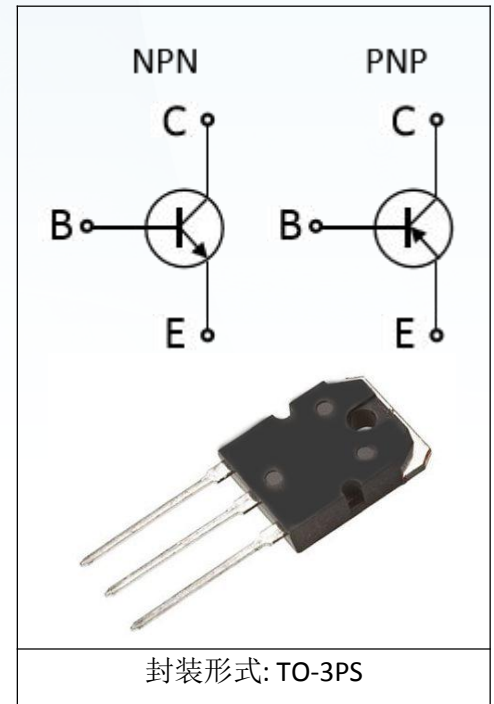
2SD718(NPN)

特点与应用:

- 大的输出电流: $I_c=8A$
- 高的击穿电压: $V_{CEO} \geq 120V$
- 宽的工作区域: $2.0A/80V@1\text{ Second}$
- 优的频率特性: $f_T > 10MHz$
- 适用于 60W 以上高保真音频放大器推动级及末级输出

注意 1: 能够持续不断的负荷运行: 比如应用于高温度、高电压、大电流, 并适用于温度的大变化等。

注意 2: 在以下的操作环境下功率晶体管的可靠性可能会降低: 比如运用在最大的电流和最高的温度和电压等。

绝对最大额定参数值($T_c=25^\circ C$):

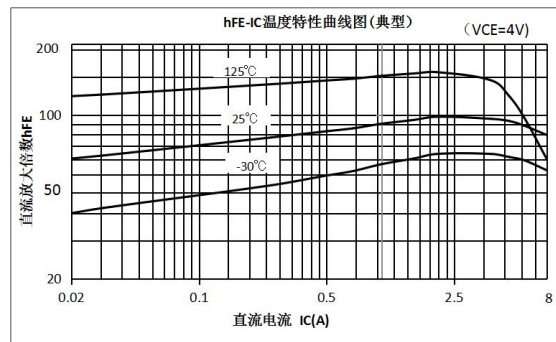
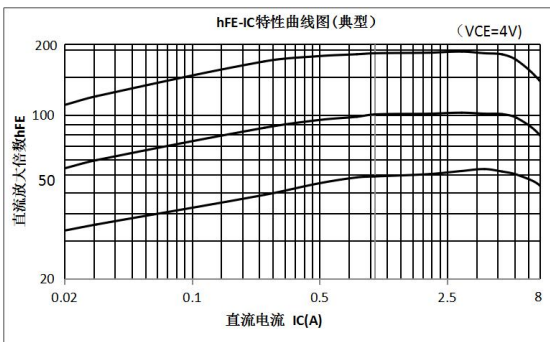
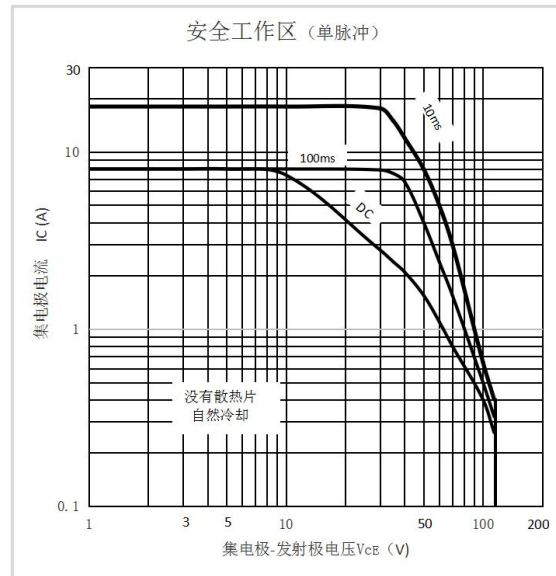
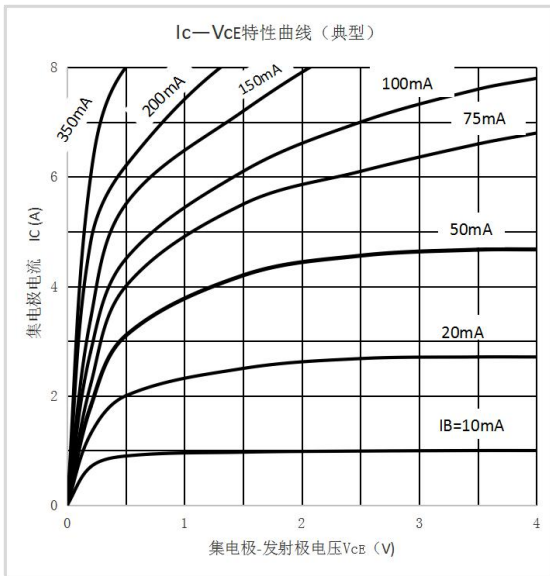
参数名称	符号	额定值	单位
集电极-发射极电压	V_{CBO}	120	V
集电极-基极电压	V_{CEO}	120	V
发射极-基极电压	V_{EBO}	5	V
集电极电流	I_c	8	A
基极电流	I_B	0.8	A
集电极功率损耗($T_c=25^\circ C$)	P_c	80	W
接点温度	T_j	150	$^\circ C$
存储温度范围	T_{STG}	-55~150	$^\circ C$

电参数 (Tc=25°C):

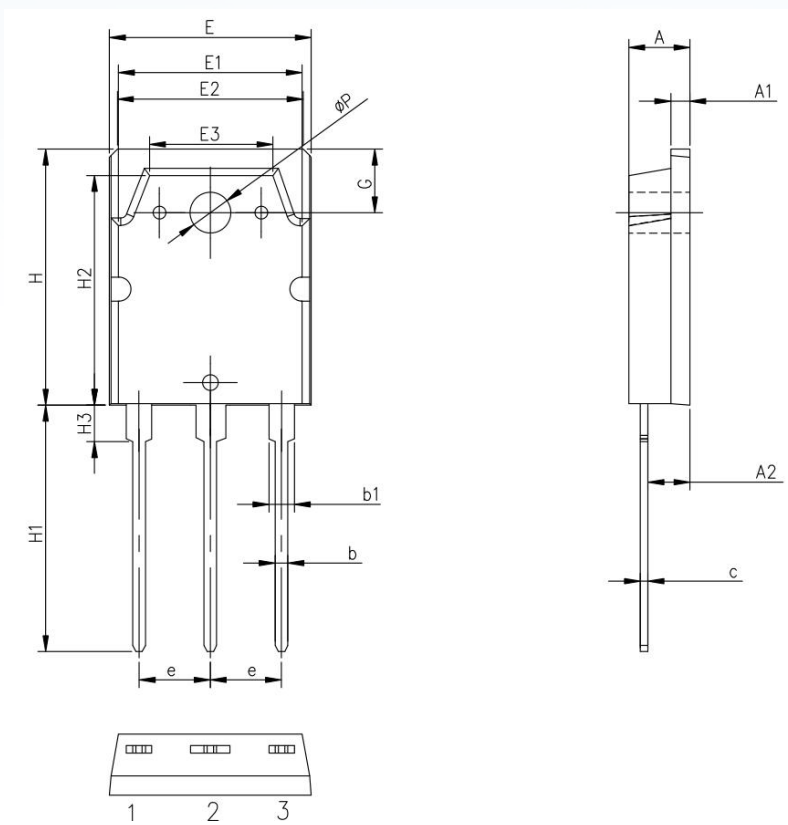
参数名称	参数	测试条件	最小值	典型值	最大值	单位
集电极-基极击穿漏电	I _{CB0}	V _{CB} =120V; I _E =0			5.0	uA
发射极-基极击穿漏电	I _{EB0}	V _{EB} =5V; I _C =0			5.0	uA
集电极-发射极击穿电压	V _{(BR)CEO}	I _C =50mA, I _B =0	120			V
放大增益	h _{FE(1)}	V _{CE} =5V; I _C =1A	55		160	
	h _{FE(2)}	V _{CE} =5V; I _C =4A	35	75		
集电极-发射极饱和电压	V _{CE(sat)}	I _C =5A; I _B =-0.5A			2.5	V
基极-发射极电压	V _{BE}	V _{CE} =5V; I _C =4A			1.5	V
特征频率	f _T	V _{CE} =5V; I _C =1A		10		MHz

参数	参数说明	典型值	条件
R _{θjc}	结到管壳温度	0.32	°C/W

典型特征



封装信息 : TO-3PS 封装



Symbol	单位 mm		
	Min	Nom	Max
A	4.30	4.50	4.70
A1	1.3	1.5	1.7
A2	2.50	2.70	2.90
b	0.80	1.0	1.20
b1	1.80	2.00	2.20
c	0.50	0.60	0.70
e	5.25	5.45	5.65
E	15.1	15.5	15.9
E1	13.1	13.3	13.5
E2	13.2	13.4	13.6
E3	9.1	9.3	9.5
H	19.8	20.0	20.2
H1	20.0	20.5	21.0
H2	18.3	18.5	18.7
H3	2.8	3.0	3.2
G	4.30	4.50	4.70
ΦP	3.00	3.20	3.40

Disclaimer

EVVOSEMI ("EVVO") reserves the right to make corrections, enhancements, improvements, and other changes to its products and services at any time, and to discontinue any product or service without notice.

EVVO warrants the performance of its hardware products to the specifications applicable at the time of sale in accordance with its standard warranty. Testing and other quality control techniques are used as deemed necessary by EVVO to support this warranty. Except where mandated by government requirements, testing of all parameters of each product is not necessarily performed.

Customers should obtain and confirm the latest product information and specifications before final design, purchase, or use. EVVO makes no warranty, representation, or guarantee regarding the suitability of its products for any particular purpose, nor does EVVO assume any liability for application assistance or customer product design. EVVO does not warrant or accept any liability for products that are purchased or used for any unintended or unauthorized application.

EVVO products are not authorized for use as critical components in life support devices or systems without the express written approval of EVVOSEMI.

The EVVO logo and EVVOSEMI are trademarks of EVVOSEMI or its subsidiaries in relevant jurisdictions. EVVO reserves the right to make changes without further notice to any products herein.